



MODEL TEVP-E or -W

VACUUM PACKAGING MACHINE

GENERAL DESCRIPTION

The Tucs TEVP-E is a versatile, general-purpose machine for vacuum packaging products. They are commonly used for packaging vegetables, fruits, and other products. Lightweight mobile construction enables use throughout commissary.



Tucs Model TEVP-E

CONSTRUCTION & FEATURES

304L Stainless steel construction ■ Mounted on 4 legs with locking casters ■ Air operated, no electric required ■ High volume Air Eductor Vacuum Pump ■ Stainless steel liquids receiver ■ Vertical vacuum nozzle ■ Includes Tipper-Tie SZ4135L

CERTIFICATIONS

Pending



TUCS Equipment, Inc.
755 County Road 18 S. • Princeton MN 55371
Phone 763-574-7475 Fax 763-574-7472
www.tucsequipment.com

ITEM NO.

PROJECT

QUANTITY

AIA NO.

GENERAL DESCRIPTION

The Tucs TEVP-W ergonomically friendly design enables vacuum packaging for cook tank processing of heavy products such as roasts and other proteins. An adjustable balancing table bears the weight. Lightweight mobile construction allows use throughout commissary.



Tucs Model TEVP-W

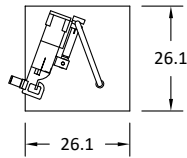
CONSTRUCTION & FEATURES

304L Stainless steel construction ■ Mounted on 4 legs with locking casters ■ 1/2 hp high-volume vacuum pump ■ Stainless steel liquids receiver ■ Retracting horizontal vacuum probe ■ Adjustable, spring-loaded product table ■ Enclosed cabinet ■ Includes Tipper-Tie SZ4135L

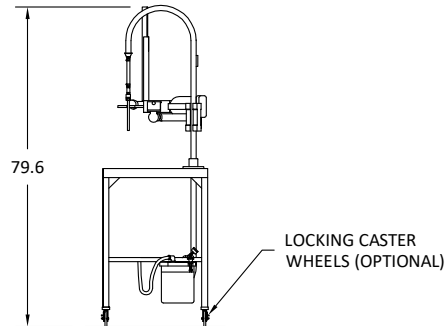
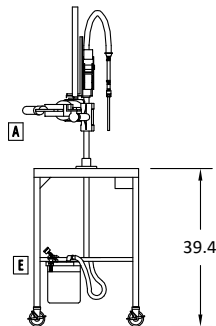
MODEL TEVP-E or -W

VACUUM PACKAGING MACHINE

Scan this QR code with your smart phone to visit our website for more information.

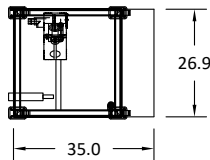


MODEL TEVP-E

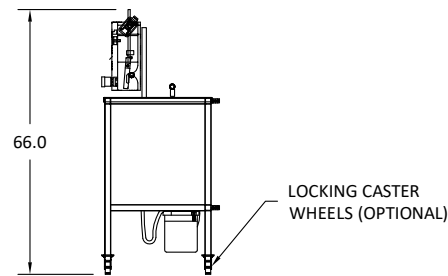
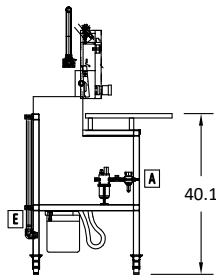


UTILITIES		
SYM	DESCRIPTION	UTILITY CONNECTION
[A]	COMPRESSED AIR	3/8" QD - 8 CFM @ 90 PSI IN 60 CFM BURSTS
[E]	ELECTRIC	6.4 FLA @ 120 V/1 PH/60 Hz

RECOMMENDED CLEARANCES	
RIGHT SIDE	12"
BACK	12"
LEFT SIDE	12"



MODEL TEVP-W



UTILITIES		
SYM	DESCRIPTION	UTILITY CONNECTION
[A]	COMPRESSED AIR	3/8" QD - 8 CFM @ 90 PSI IN 60 CFM BURSTS
[E]	ELECTRIC	6.0 FLA @ 120 V/1 PH/60 Hz

RECOMMENDED CLEARANCES	
RIGHT SIDE	12"
BACK	12"
LEFT SIDE	12"

6/2/2020